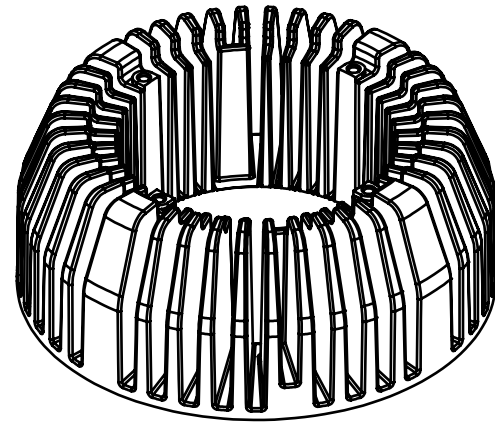
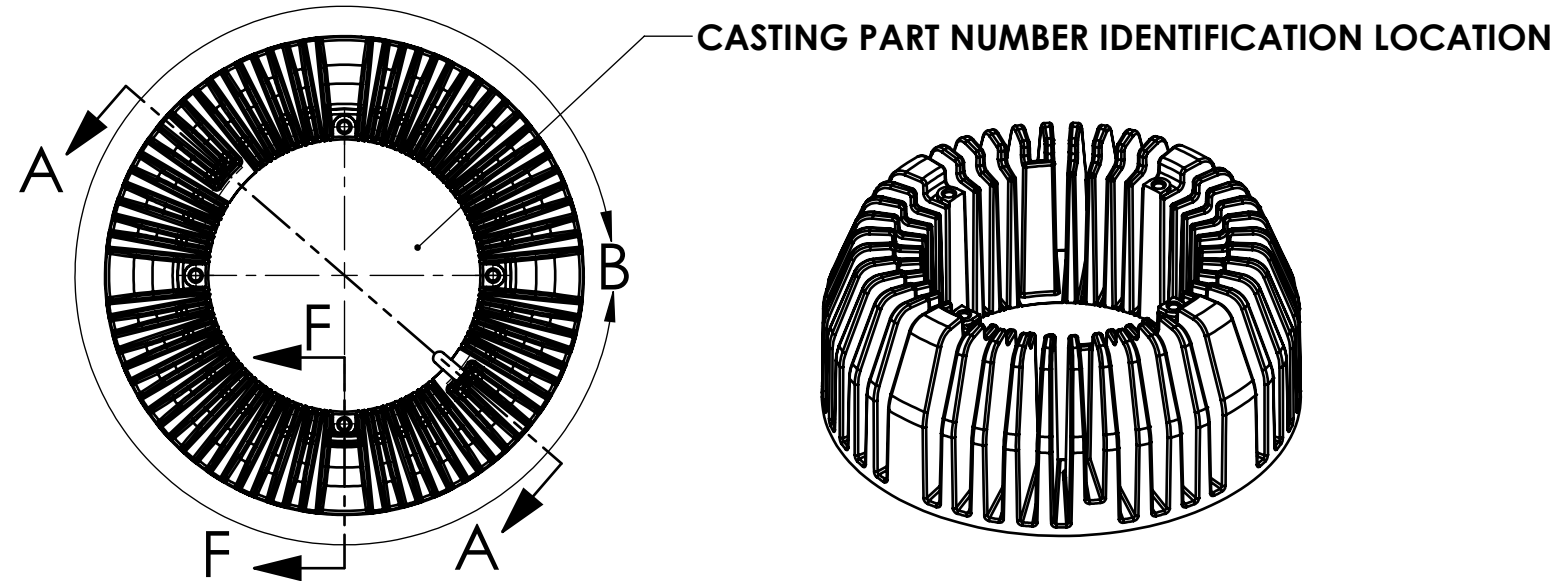


REV	DESCRIPTION	BY	APR	DATE
E01	RELEASE	DNG	DNG	2009-03-24

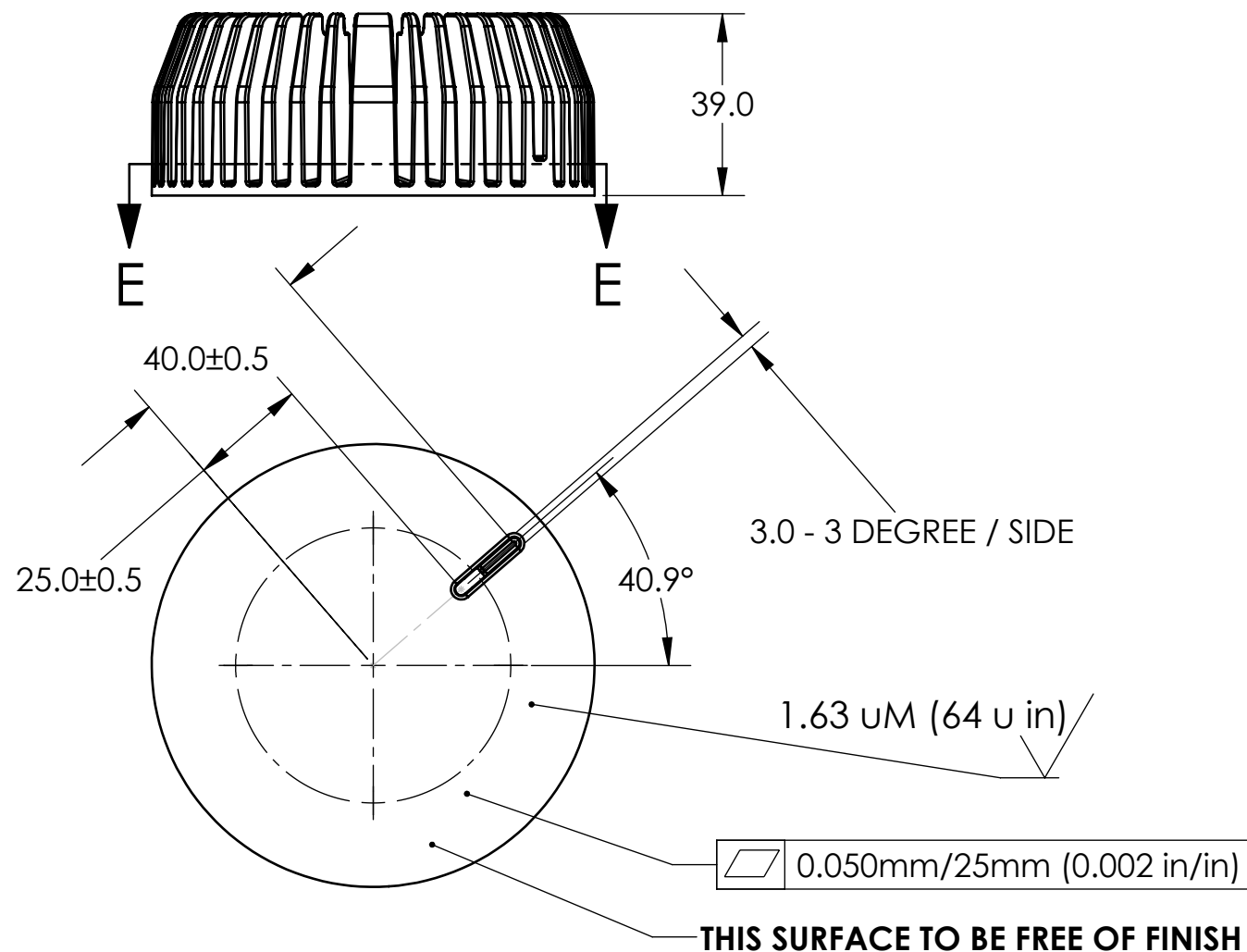


**NOTES:**

MATERIAL: A356 OR ADC-6 ALUMINUM

FINISH: CATHODIC E-COAT WITH GLOSS BLACK EPOXY RESIN

MASS: 274 GRAMS (APPROXIMATE)



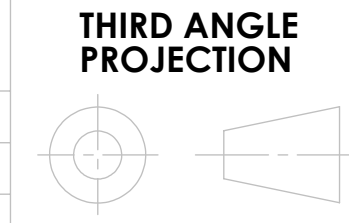
**UNLESS OTHERWISE SPECIFIED:**  
 -ALL DIMENSIONS IN MILLIMETERS  
 -DRAFT ANGLES TO BE 3 DEGREES  
 -DIMENSIONS INCLUDE PLATING  
 TOLERANCES: .X: ± 0.2  
 .XX: ± 0.1  
 ANGLES: ±0.5°

	NAME	DATE
DRAWN	DNG	
CHECKED	DNG	
ENG APPR.	DNG	



TITLE:  
PAR30 HEATSINK

SIZE **B**  
 MATERIAL N/A  
 FINISH N/A  
 DO NOT SCALE DRAWING



DWG. NO. HP30S-CALBL-001  
 SCALE: 1:1.5  
 SHEET 1 OF 3  
 REV E01

PROPRIETARY AND CONFIDENTIAL: THE INFORMATION CONTAINED IN THIS DRAWING IS THE SOLE PROPERTY OF NUVENTIX, INC. ANY REPRODUCTION IN PART OR AS A WHOLE WITHOUT THE WRITTEN PERMISSION OF NUVENTIX, INC IS PROHIBITED.

8 7 6 5 4 3 2 1

D

D

C

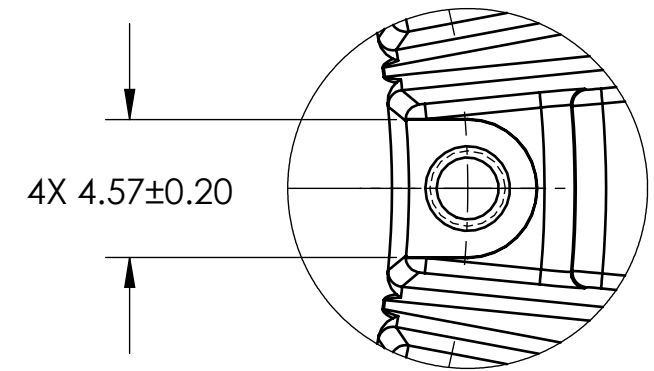
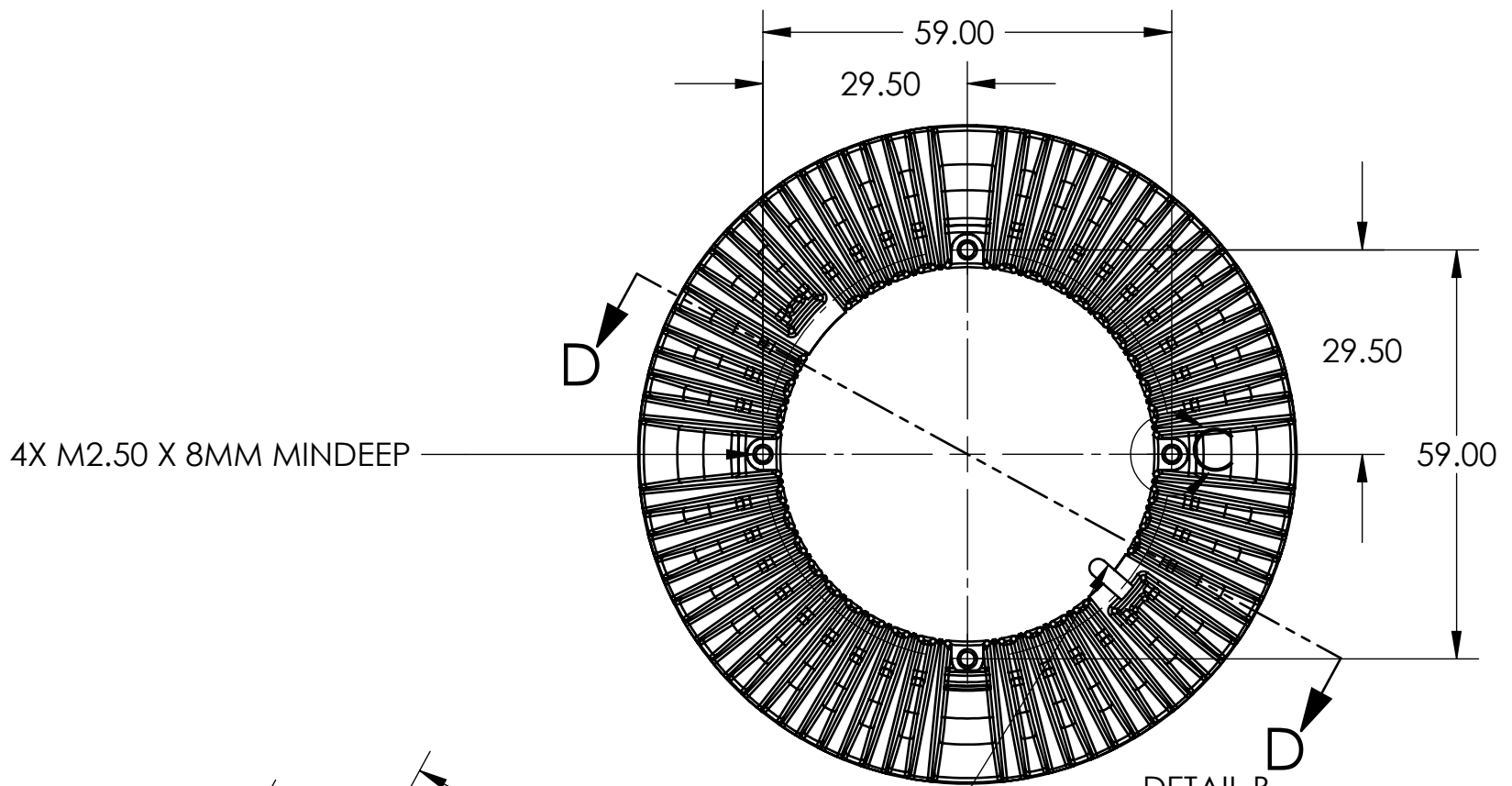
C

B

B

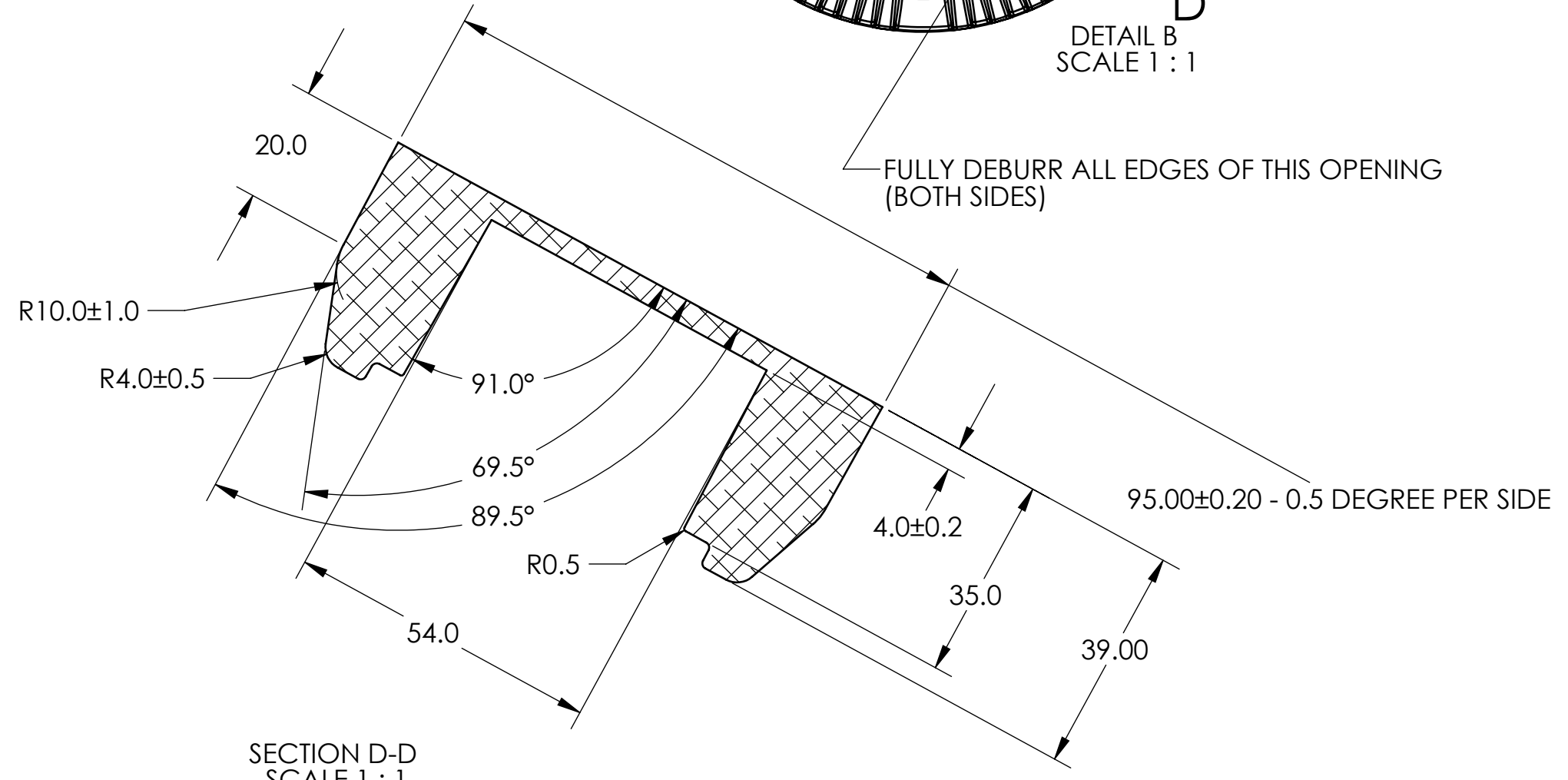
A

A



DETAIL B  
SCALE 1 : 1

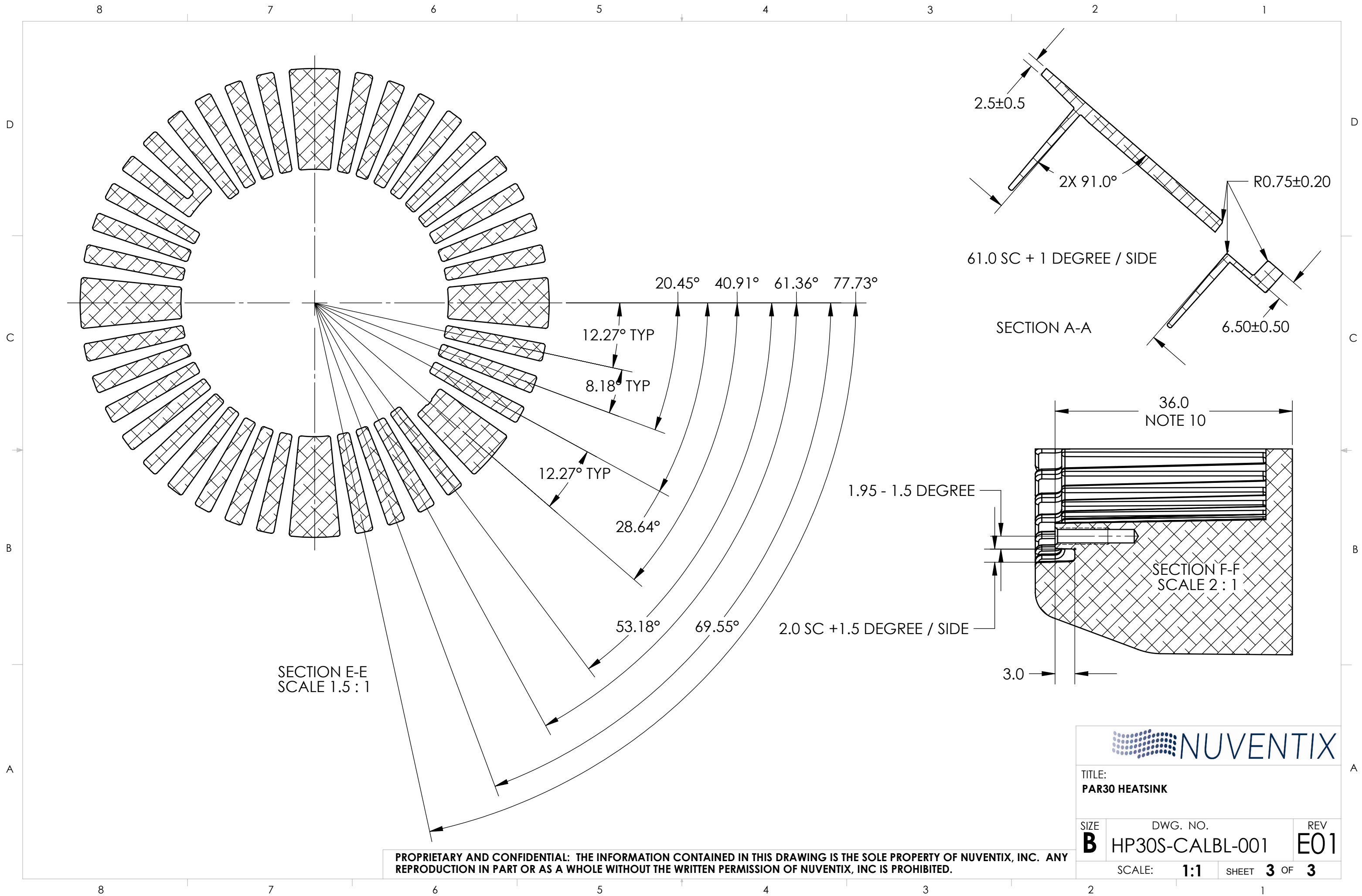
FULLY DEBURR ALL EDGES OF THIS OPENING  
(BOTH SIDES)



TITLE: <b>PAR30 HEATSINK</b>		
SIZE <b>B</b>	DWG. NO. <b>HP30S-CALBL-001</b>	REV <b>E01</b>
SCALE: <b>1:1.5</b> SHEET <b>2</b> OF <b>3</b>		

PROPRIETARY AND CONFIDENTIAL: THE INFORMATION CONTAINED IN THIS DRAWING IS THE SOLE PROPERTY OF NUVENTIX, INC. ANY REPRODUCTION IN PART OR AS A WHOLE WITHOUT THE WRITTEN PERMISSION OF NUVENTIX, INC IS PROHIBITED.

8 7 6 5 4 3 2 1



SECTION E-E  
SCALE 1.5 : 1

SECTION A-A

SECTION F-F  
SCALE 2 : 1

PROPRIETARY AND CONFIDENTIAL: THE INFORMATION CONTAINED IN THIS DRAWING IS THE SOLE PROPERTY OF NUVENTIX, INC. ANY REPRODUCTION IN PART OR AS A WHOLE WITHOUT THE WRITTEN PERMISSION OF NUVENTIX, INC IS PROHIBITED.



TITLE:  
**PAR30 HEATSINK**

SIZE <b>B</b>	DWG. NO. HP30S-CALBL-001	REV <b>E01</b>
------------------	-----------------------------	-------------------

SCALE: **1:1** SHEET **3** OF **3**